

## AMB-223A series

### 12.1" Industrial Display Monitors



▶ AMB-223A



▶ AMB-223AR

#### Introduction

The AMB-223A is a rugged 12.1" SVGA (800 x 600) color TFT display monitor built specifically for industrial applications. It displays brilliant, crisp and flicker-free images. With the optional touchscreen, the AMB-223A is an excellent and user-friendly system control interface.

The AMB-223A provides all the requirements for an analog RGB interface with a 12.1" SVGA color TFT LCD display that can be directly connected to a standard VGA port, multi-scan function display in VGA, SVGA and text-mode full screen. The monitor is equipped with an On Screen Display (OSD) controller to adjust the LCD. The chassis is constructed with an aluminum front panel and stainless steel chassis. This combination ensures a sturdy and corrosion resistant monitor, and is NEMA 4/12 & IP65 compliant.

#### Features

- 12.1" SVGA color TFT LCD display
- Heavy-duty stainless steel chassis and aluminum alloy front panel
- Front panel is NEMA 4/12 & IP65 compliant
- OSD (On Screen Display) on the front panel for user friendly operation
- EIA RS-310C 19" rack-mount 6U height (AMB-223AR)
- Strengthened glass protects the front panel from shock damage
- Analog RGB signal directly input offering multi-scan function
- RGB, Composite video AV signal selectable
- VGA cable length supports up to 20 Meters
- VESA 75mm standard screw holes
- Touchscreen (optional)

#### Specifications

- **Construction:** Heavy-duty stainless steel chassis & Aluminum alloy front panel meets NEMA4/12 & IP65
- **Front Panel color:** RAL-7035 (white)
- **Mounting:** Panel mount or Rack-mount 6U height or Swivel arm or Stand (optional)
- **I/O port:** RGB, Composite video
- **Control:** OSD (On Screen Display) on front panel
- **Power Supply:** External power adapter
- **Dimensions (W x H x D):**  
**AMB-223A:** 339 x 230 x 58.6mm (13.3" x 9.05" x 2.3")  
**AMB-223AR:** 483 x 266.7 x 58.6mm (19.01" x 10.5" x 2.3")
- **Carton dimensions (W x H x D)**  
**AMB-223A:** 479 x 384 x 254 (18.8" x 15.1" x 10")  
**AMB-223AR:** 608 x 402 x 173 (21.9" x 16.8" x 6.8")
- **Gross Weight:** 7.5Kg (16.5 lbs)

#### LCD Specification

<b>Model</b>	AMB-223A
<b>Display type</b>	12.1" color TFT LCD
<b>Max. resolution</b>	800 x 600
<b>Max. colors</b>	256K
<b>Dot size (mm)</b>	0.3075 x 0.3075
<b>Luminance (cd/m<sup>2</sup>)</b>	250
<b>Viewing angle</b>	120° (H) 100° (V)
<b>Operating temperature</b>	0° ~50 °C (32~122 °F)
<b>OSD</b>	Yes
<b>LCD MTBF (Hrs)</b>	50,000
<b>Back Light MTBF (Hrs)</b>	25,000

## Environmental

- **Operating temperature:** 0° to 50°C (32~122°F)
- **Storage temperature:** -20° to 60°C (-4~140°F)
- **Storage humidity:** 5 to 95%, non-condensing
- **Vibration:**  
5 to 17 Hz, 0.1" double-amplitude displacement  
17 to 500 Hz, 1.5G peak to peak
- **Shock:** 10G peak acceleration (11 msec. duration)
- **EMI:** CE/ FCC Class A

## Touchscreen (optional)

**Type:** 8-wire, analog resistive

**Resolution:** 1024 x 1024

**Light transmission:** 72%

**Lifetime:** 100 million touches

**Operating pressure:** 30-45 grams for finger, 10 grams for stylus pen. Contact bounce < 10ms

**Power consumption:** +5V @200mA

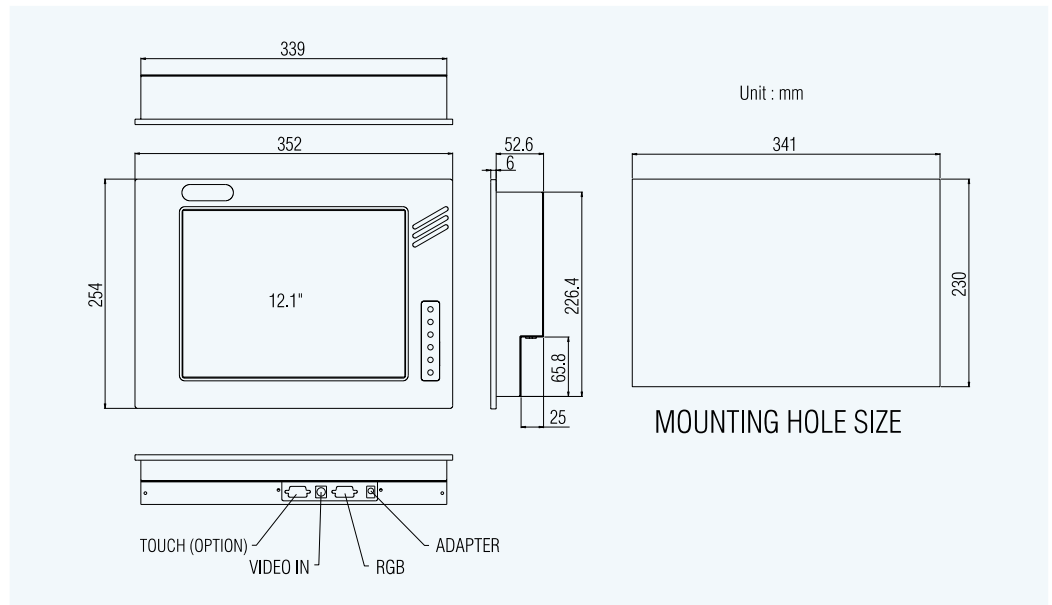
**OS support:** MS DOS, Windows 3.1, Windows 95, Windows 98, Windows NT, Windows 2000.

## Ordering Information

- **AMB-223A**  
12.1" TFT LCD, external power adapter and 1.2m VGA extension cable
- **AMB-223AT**  
AMB-223A + touchscreen (RS-232 interface)
- **AMB-223AR**  
12.1" TFT LCD, external power adapter and 1.2m VGA extension cable, with 19" rack-mount bezel
- **AMB-223ART**  
AMB-223AR+touchscreen (RS-232 interface)
- **STAND-025500**  
Desktop stand with VESA 75mm standards
- **ARM-LA0115**  
Swivel arm with VESA 75/100mm standards

## Dimension

AMB-223A



AMB-223AR

