

AMB-232A series

10.4" Industrial Display Monitors



▶ AMB-232A

On Screen Display



▶ VESA 75mm standards

Introduction

The AMB-232A is a rugged 10.4" VGA (640 x 480) color TFT display monitor built specifically for industrial applications. It displays brilliant, crisp and flicker-free images. With the optional touchscreen, the AMB-232A is an excellent and user-friendly system control interface.

The AMB-232A provides all the requirements for an analog RGB interface with a 10.4" VGA color TFT LCD display that can be directly connected to a standard VGA port, multi-scan function display in VGA and text-mode full screen. The monitor is equipped with an On Screen Display (OSD) controller to adjust the LCD. The chassis is constructed with an aluminum front panel and stainless steel chassis. This combination ensures a sturdy and corrosion resistant monitor and is NEMA 4/12 & IP65 compliant.

Features

- 10.4" VGA color TFT LCD display
- Heavy-duty stainless steel chassis and aluminum alloy front panel
- Front panel is NEMA 4/12 & IP65 compliant
- OSD (On Screen Display) on the front panel for user friendly operation
- Strengthened glass protects the front panel from shock damage
- Analog RGB signal direct input offering multi-scan function
- RGB, Composite video AV signal selectable

- VGA cable length supports up to 20 Meters
- VESA 75mm standard screw holes
- Touchscreen (optional)

Specifications

- **Construction:** Heavy-duty stainless steel chassis & Aluminum alloy front panel meets NEMA4/12 & IP65
- **Front panel color:** RAL-7035 (white)
- **Mounting:** Panel mount or Swivel arm or Stand (optional)
- **Input signal:** RGB, Composite video
- **Control:** OSD (On Screen Display) on front panel
- **Power Supply:** external power adapter
- **Dimension (W x H x D):**
288 x 198.2 x 49mm (11.3" x 7.8" x 1.9")
- **Carton dimension (W x H x D):**
373 x 359 x 330mm (14.7" x 14.1" x 13")
- **Gross Weight:** 5.6Kg (12.4 lbs)

Environmental

- **Operating temperature:** 0° to 50°C (32~122°F)
- **Storage temperature:** -20° to 60°C (-4~140°F)
- **Storage humidity:** 5 to 95%, non-condensing
- **Vibration:**
5 to 17 Hz, 0.1" double-amplitude displacement
17 to 500 Hz, 1.5G peak to peak
- **Shock:** 10G peak acceleration (11 msec. duration)
- **EMI:** CE/FCC Class A

LCD Specification

Model	AMB-232A
Display type	10.4" color TFT LCD
Max. resolution	640 x 480
Max. colors	256K
Dot size (mm)	0.33 x 0.33
Luminance (cd/m ²)	200
Viewing angle	90° (H) 50° (V)
Operating temperature	0° ~50°C (32~122 °F)
OSD	Yes
LCD MTBF (Hrs)	50,000
Back Light MTBF (Hrs)	20,000

Touchscreen (optional)

Type: 4-wire, analog resistive

Resolution: 1024 x 1024

Light transmission: 72%

Lifetime: 100 million touches

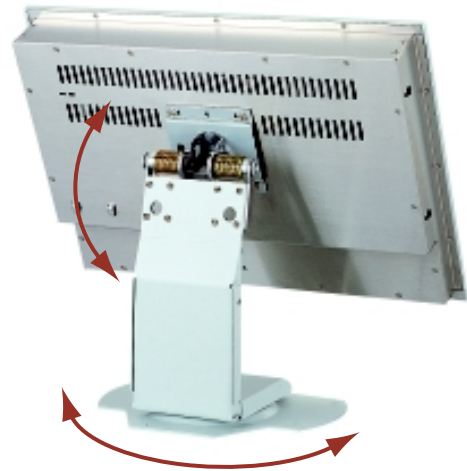
Operating pressure: 30-45 grams for finger, 10 grams for stylus pen. Contact bounce < 10ms


Power consumption: +5V @200mA

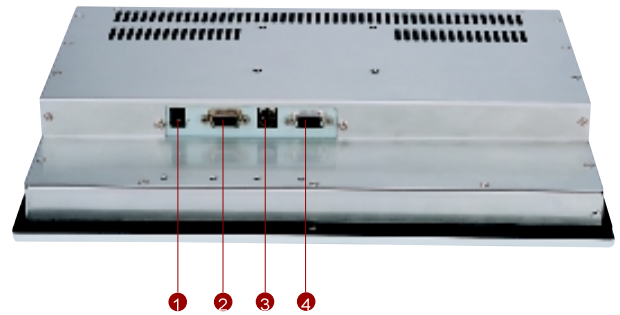
OS support: MS DOS, Windows 3.1, Windows 95, Windows 98, Windows NT, Windows 2000.

Ordering Information

- **AMB-232A**
10.4" TFT LCD, external power adapter and 1.2m VGA extension cable
- **AMB-232AT**
AMB-232A+touchscreen (RS-232 interface)
- **STAND-025500**
Desktop stand with VESA 75mm standards
- **ARM-LA0115**
Swivel arm with VESA 75/100mm standards

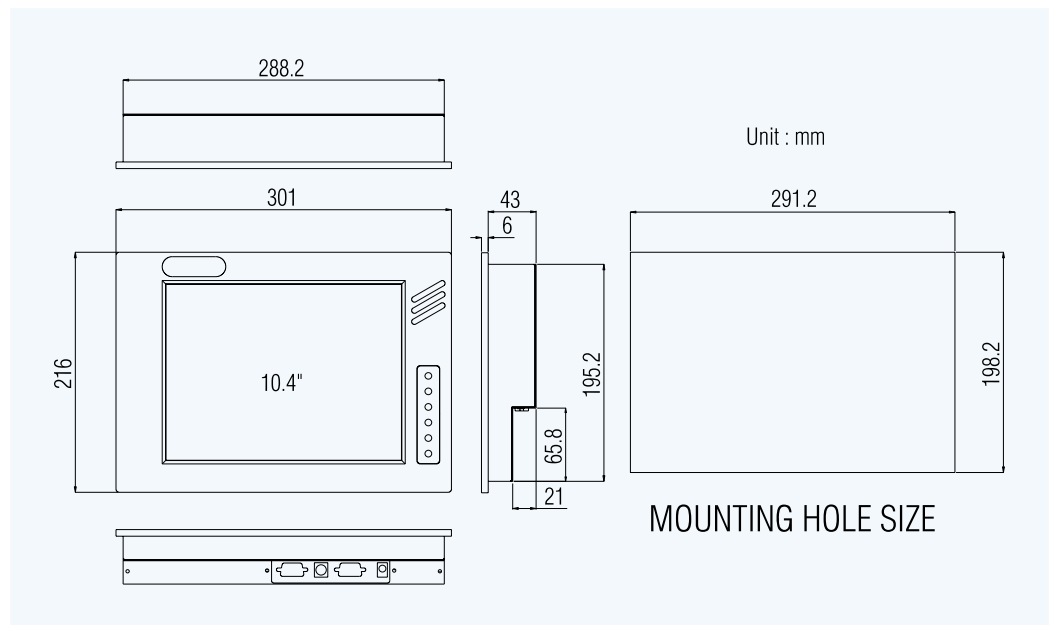


 Desktop stand (optional)



1. Adapter power input
2. Analog RGB in
3. Composite video in
4. Touchscreen signal to RS-232 port (optional)

Dimension



AMB-232A